

## 小管径温度传感器使用说明书

产品适用于DN15、DN20、DN25、DN32等小管径冷热水、蒸汽进行精确测温。

传感器：PT100、PT1000、RT10K、RT20K等

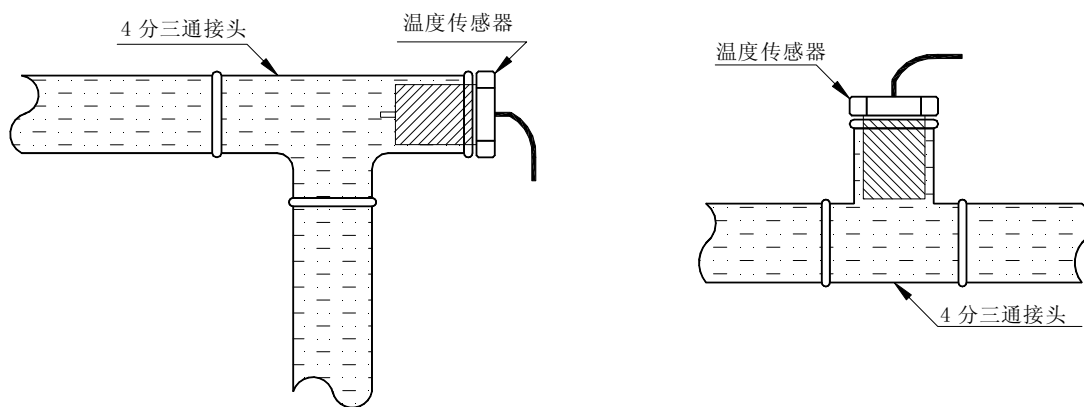
变送器：0℃~50℃、0℃~100℃(0V~10V、4mA~20mA输出)

柱塞头：黄铜

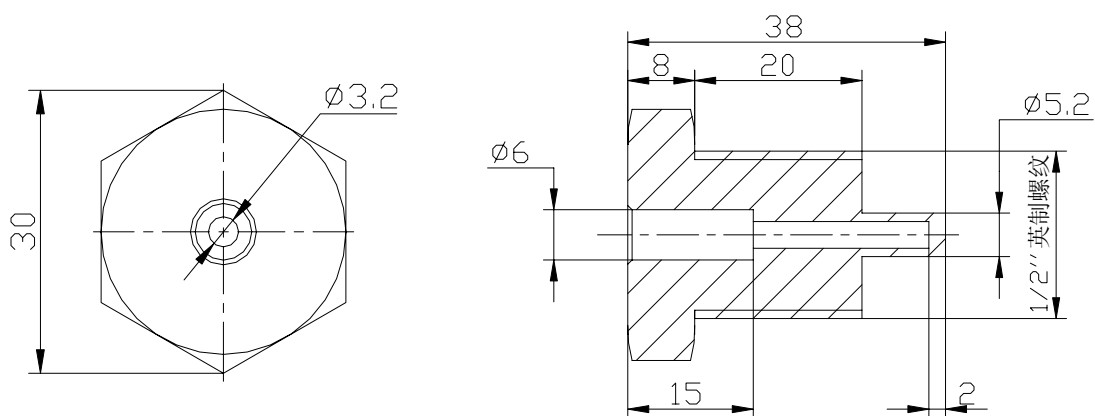
测温环境：0℃~180℃



### 安装模式：



### 外形尺寸图：



## Small -pipe Temperature Sensor Manual

This product can supply the accurate temperature of hot/cold water and steam in small size pipe. Such as DN15, DN20, DN25, DN32 and other small size.

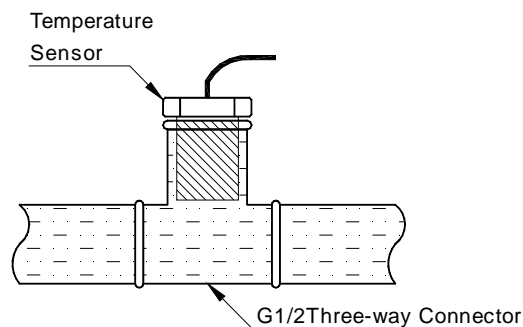
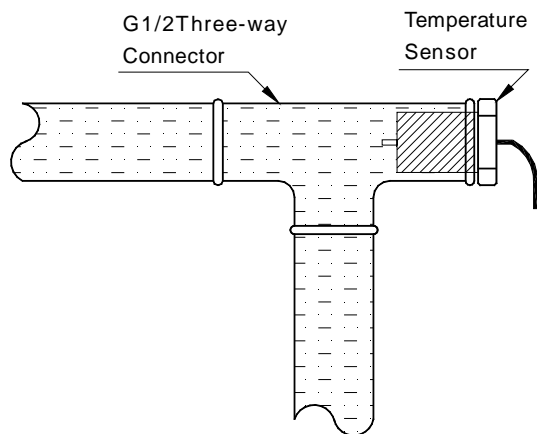
Sensor: PT100, PT1000, RT10K, RT20K, etc.

Transmitter: 0°C ~ 50°C , 0°C ~ 100°C (0V ~ 10V, 4mA ~ 20mA Output)

Plunger head: Brass

Temperature Environment: 0°C ~ 180°C

### Install mode:



### Dimension Diagram:

